

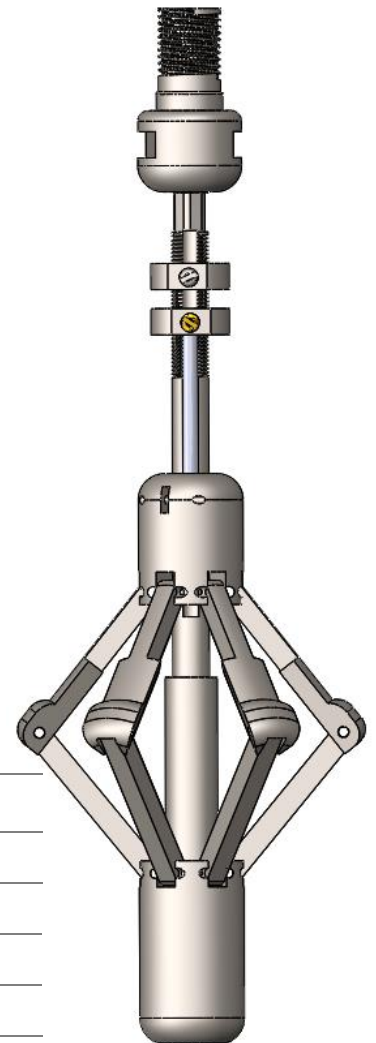
Pantera Variable Diameter Drifter

VDD-B

Pantera Variable Diameter Drifter or VDD® is the first and only in the world variable and adjustable diameter drifter. The VDD® allows the operator to select any drift diameter as desired by adjusting a counter nut.

The VDD can be adjusted to work with 2 different diameters in one descent, by slight jarring down the first diameter chosen at the restriction found the arms will automatically set to the second diameter previously chosen to continue operations. This method allows in one descent to the wellbore to calibrate 2 diameters of tubing without pulling out of the hole.

VDD has 6 arms for a better coverage of the internal wall circumference.



Specifications

Model	VDGC-A	
Length	18.3 in	
Diameter	From 1.8 in	To 5.66 in
Connection	15/16" male and female	
Material	4340	
Max pre-set diameters in one descent	2	

Pantera Variable Diameter Drifter

VDD-B

Features

- Arms in 4340 materials for long durability.
- Adjustable nut allows multiple diameters to be set.
- Easy to adjust desired diameters.
- Other slickline tools can be stacked at the bottom or top.
- Full X-Y Coverage.
- Low maintenance demand.

Application

- Gauge completion tubing.

Benefits

- Substitute a wide quantity of traditional gauge cutter in one tool.
- Perform 2 diameters gauge in one descent.
- Combinable with other slickline tools.

