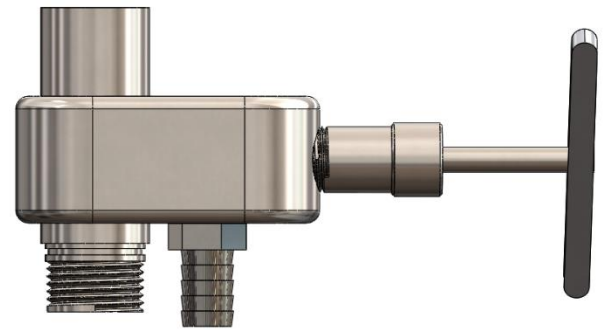


# Pantera Filling Sub

The Pantera Filling Sub or PFS® is an essential device when performing cement dump bailer operations. In essence the PFS allows the operator to fill the bailer string from the bottom most part when bailers sections are in vertical position.

The PFS uses a 2 parts C-clamp to attach the PFS to the outlet of the cement pump.

Due its robust and engaging shape with the PFS there is no risk of cement leaks and misplace of the clamp.



## Specifications

Model	PFS-A
Diameter	1 11/16", 2" & 2 1/8"
Port diameter	12 mm
Material	Stainless Steel
Length	4.7 in

# Pantera Filling Sub

## Features

- 12 mm diameter flow port.
- Neodymium magnets in extractor tool and nut.
- Low maintenance cost.
- SS316 material.
- Combinable with PEBB, PMBB & PDB.

## Application

- Dump Bailer Cement filling.

## Benefits

- Low-cost equipment.
- Rubber gasket to eliminate cement leaks.
- Robust 1 piece SS body.
- Quick process of opening the port and closing.
- No redress kit needed and easy to use.

